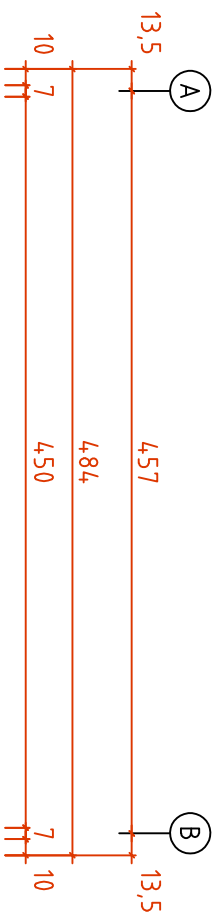
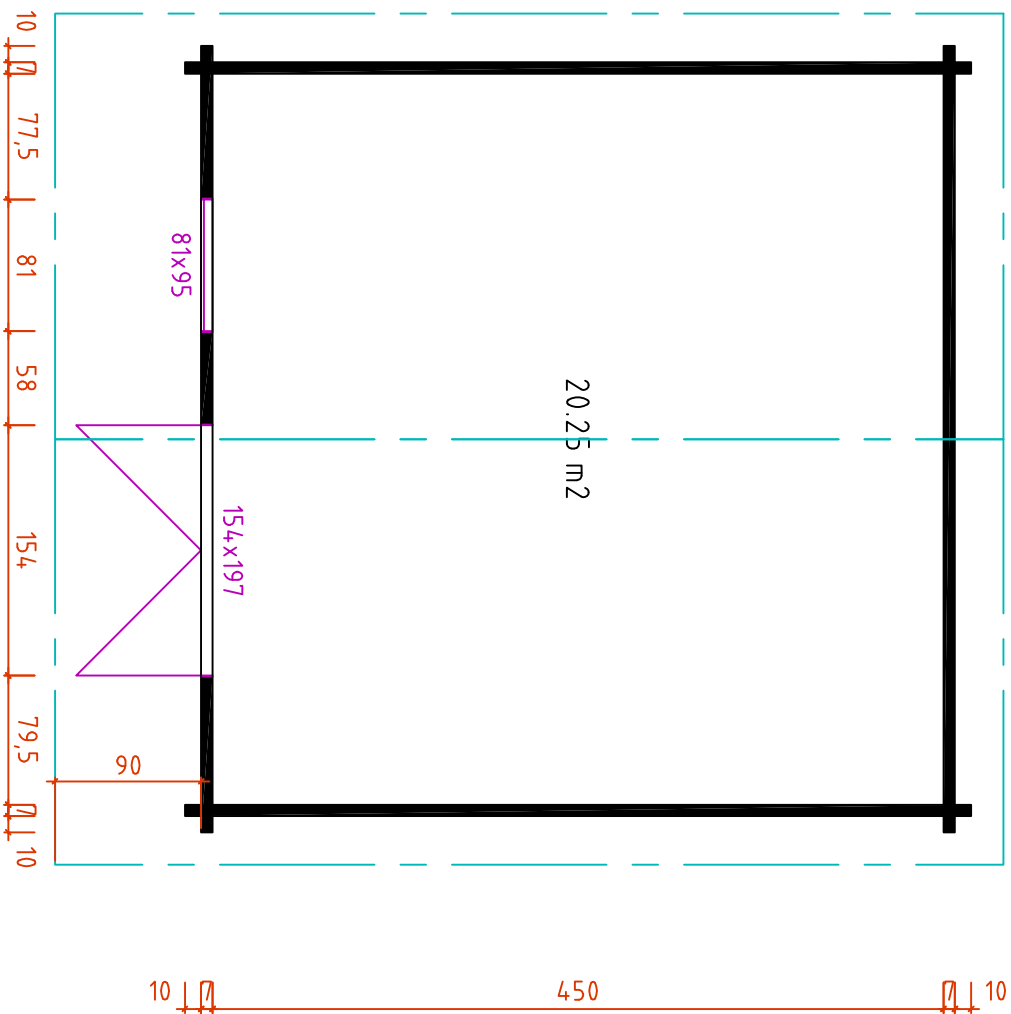
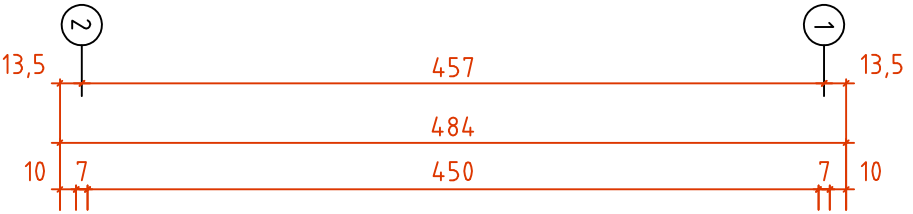


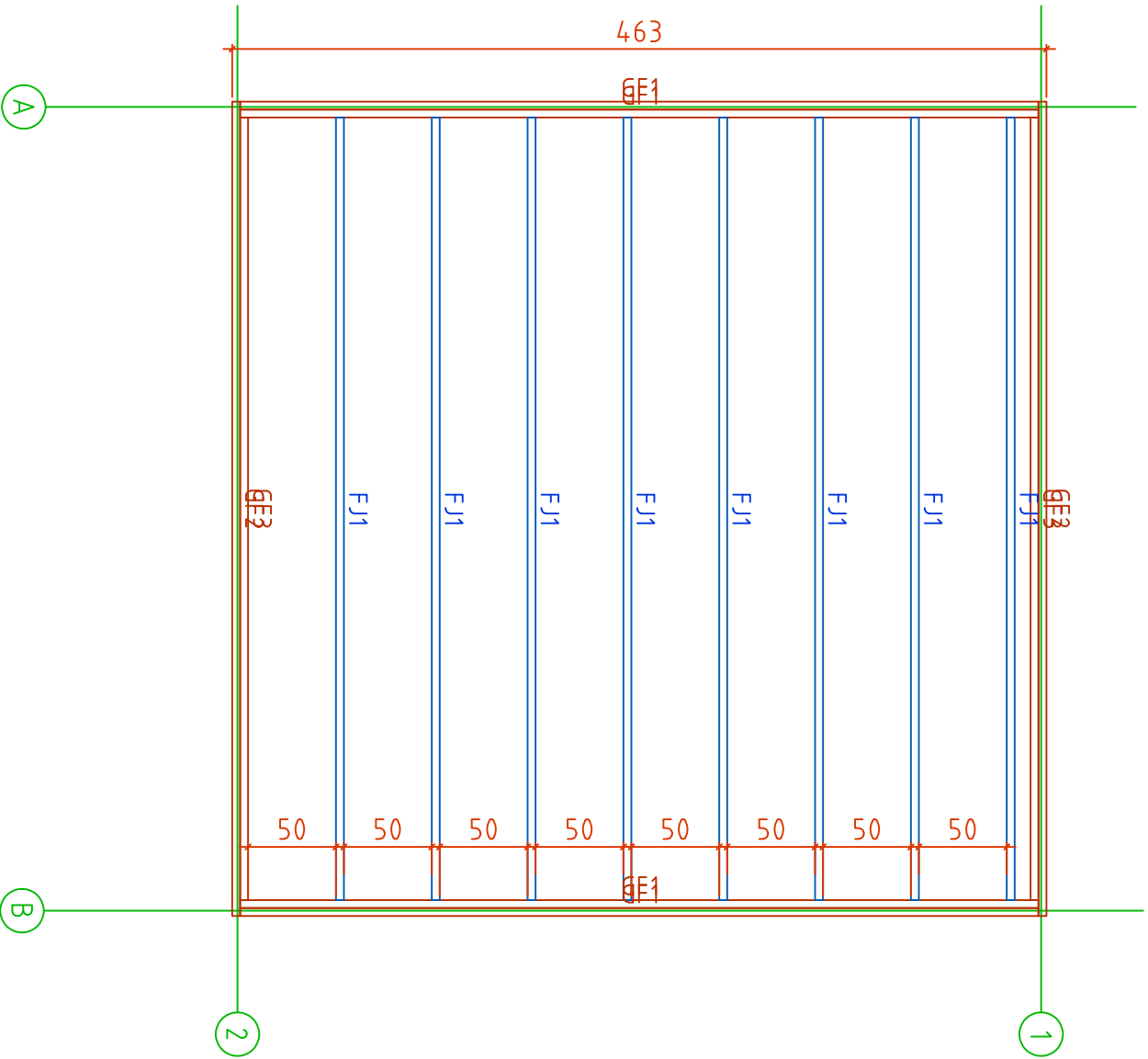
Code	Sammy 6_70	Page	1	Scale	27.04.021
Drawing	3_D				1:50
File	Sammy_3D.dwg				



H = 1,500 m
TOTAL: 20,25 m²

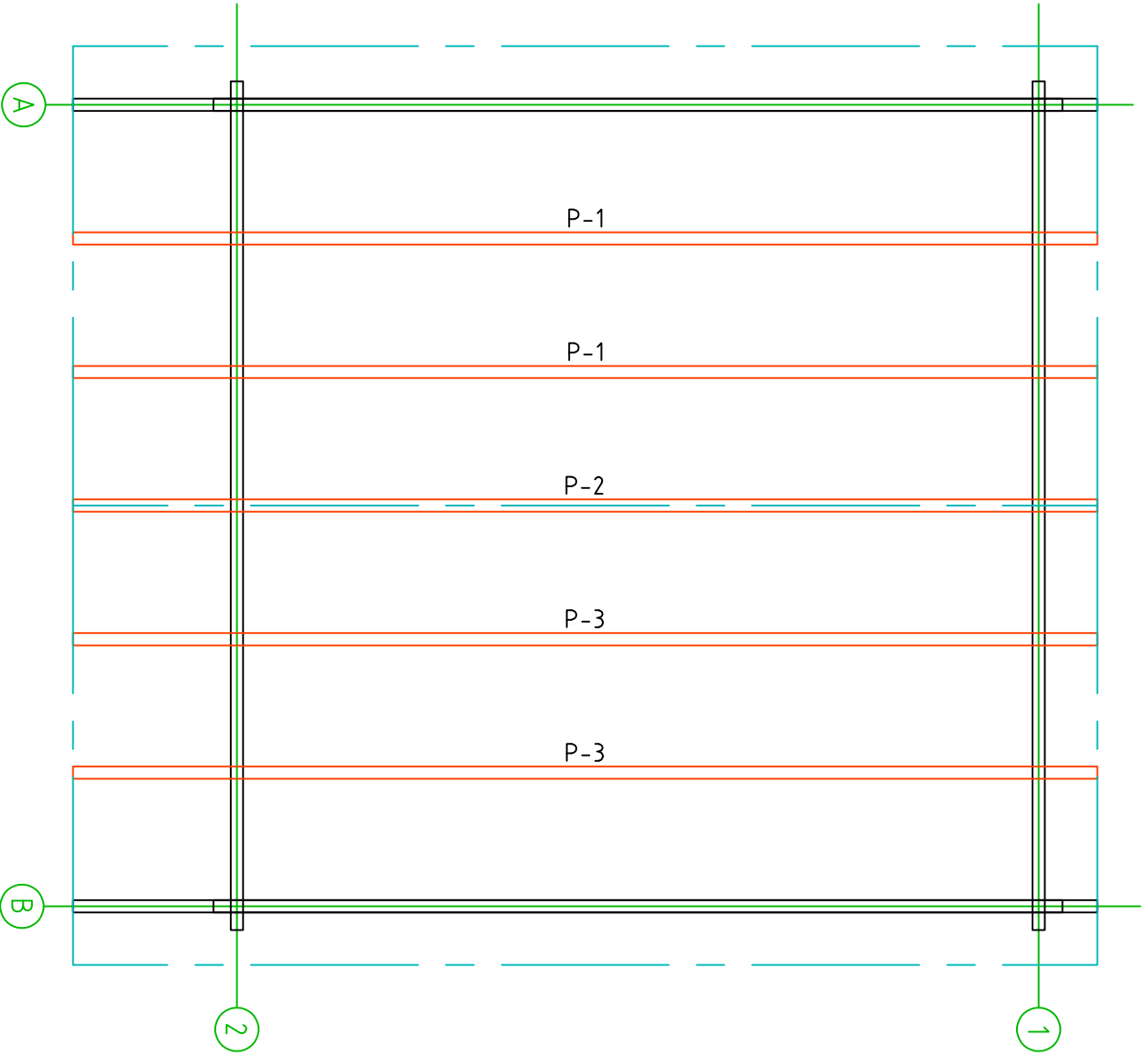


Code	Sammy 6_70	Page	1
Drawing		Scale	1:50
File	SAMMY.dwg		
Wall	70x135		

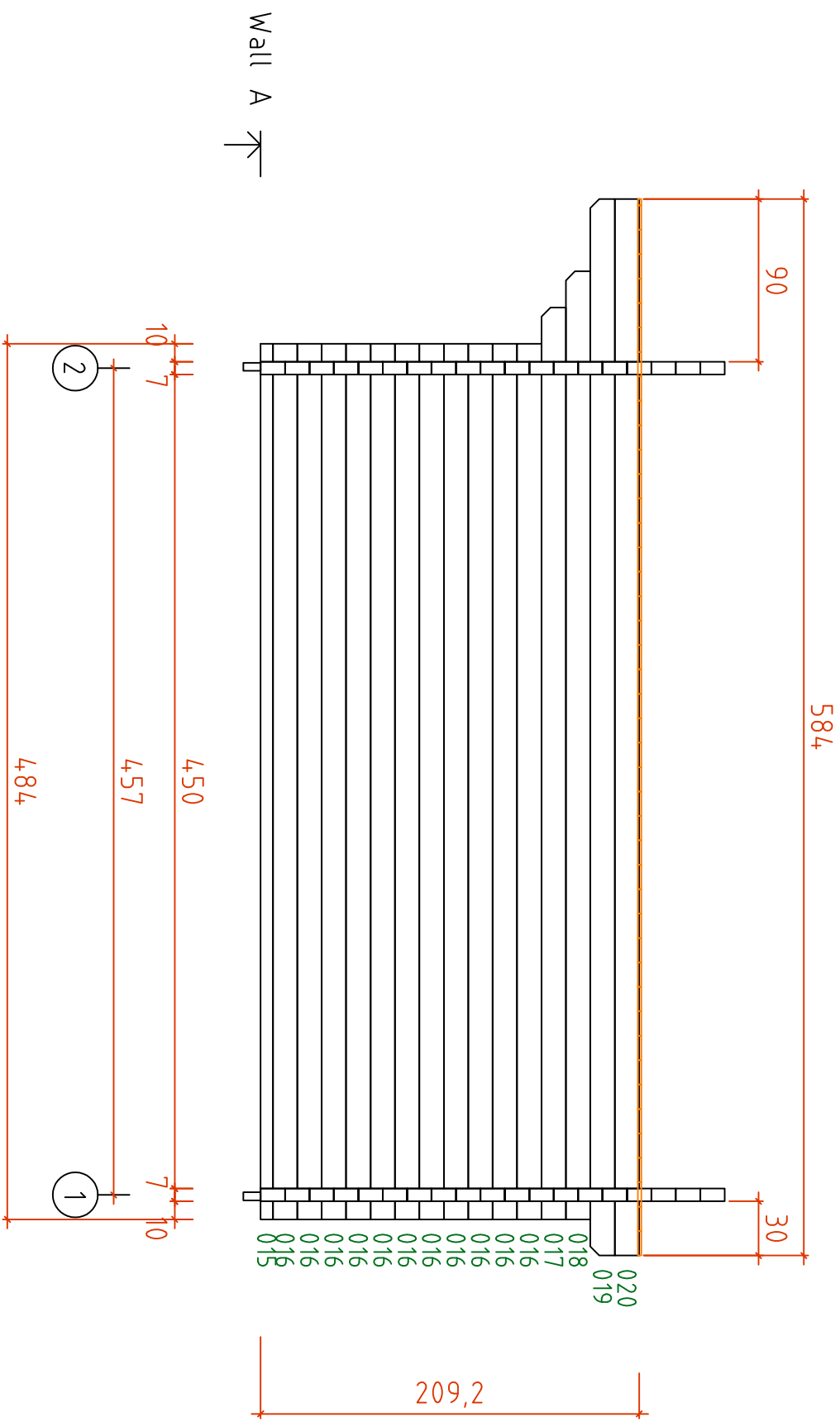


Code	Sammy 6_70		Page	1/1	27.04.021
Drawing	Plan Ground frame		Scale	1:50	
File	SAMMY.dwg				

Wall_70x135

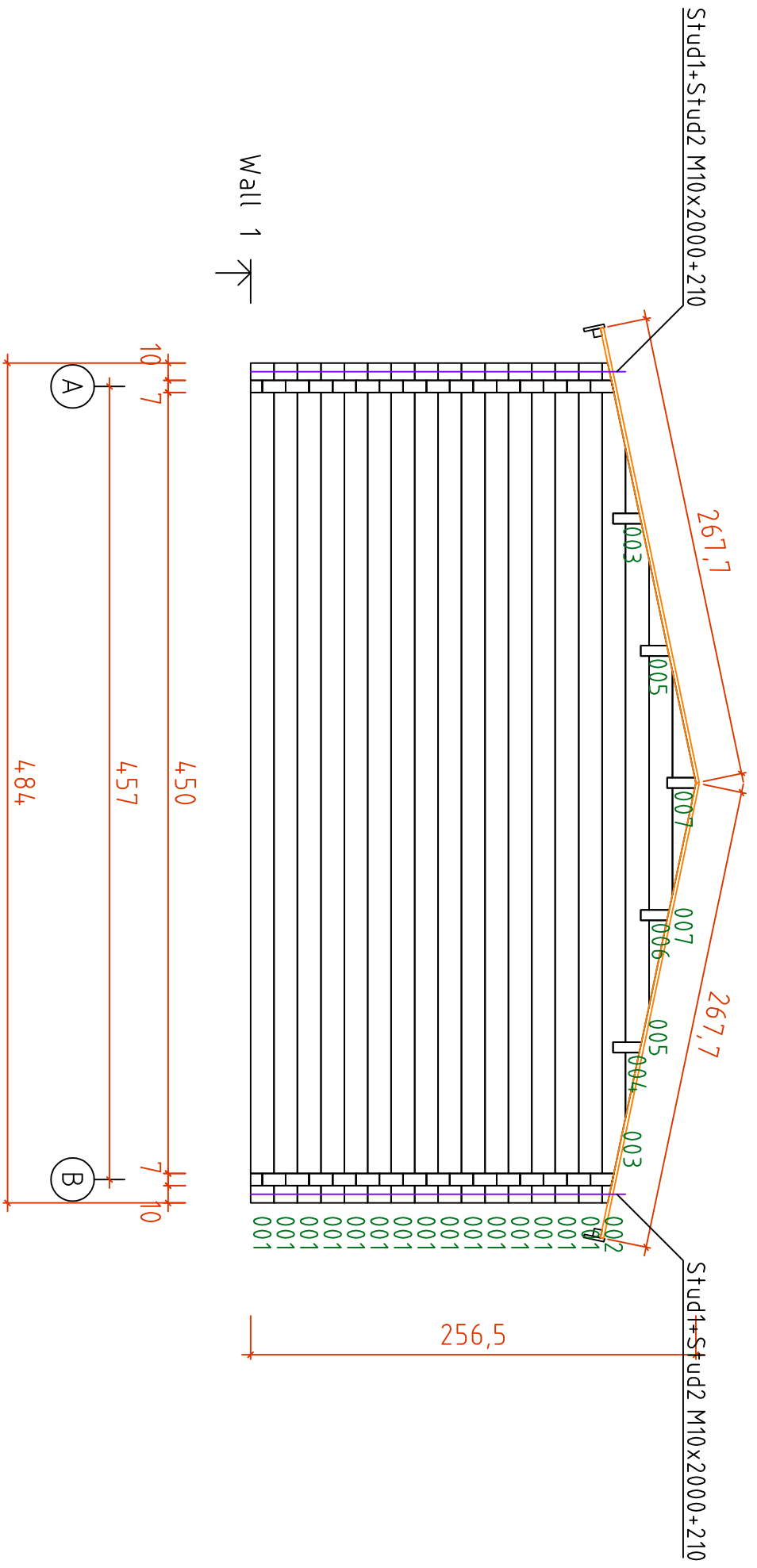


Code	Sammy 6_70		Page	1/2	Scale	27.04.021
Drawing	Plan Purl in					1:50
File	SAMMY.dwg					
	Wall_70x135					

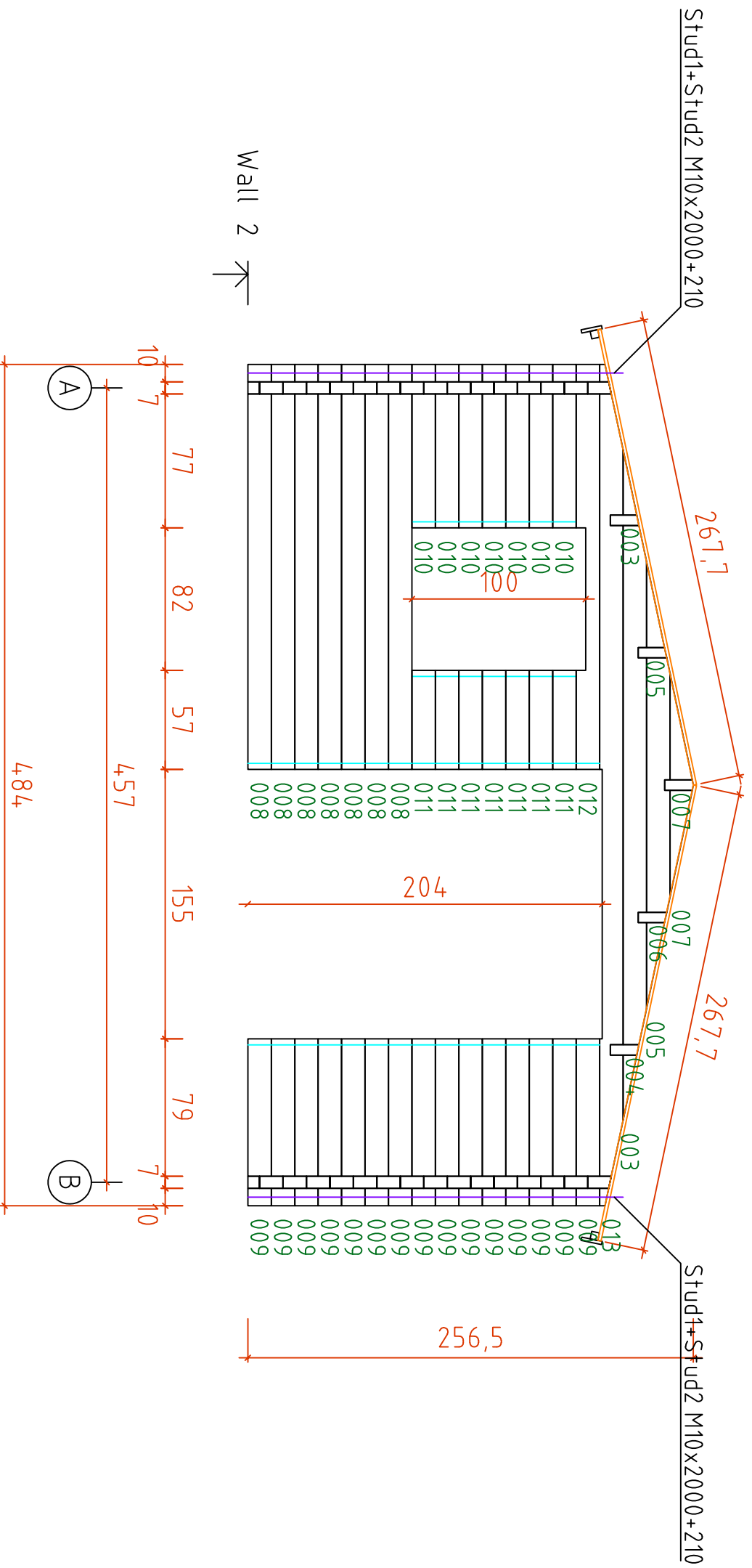


Wall A ↗

Code	Sammy 6_70		Page	2	Scale	27.04.021
Drawing	WALL A		File	SAMMY.dwg		
	Wall_70x135					1:50



Code	Sammy 6_70	Page	4	27.04.021
Drawing	WALL 1	Scale	1:50	
File	WALL_70x135	File	SAMMY.dwg	



Code	Sammy 6_70		Page	5	27.04.021
Drawing	WALL 2		Scale	1:50	
File	Wall_70x135		File	SAMMY.dwg	